

# Photometer 5010<sub>V5+</sub>

## Technical Specifications

Type	Semi-automatic, Single-beam filter Photometer
Light Source	Light Emitting Diode (LED)
Wavelength	340 nm to 800 nm
Wavelength Selection	Automatic via 9-position filter wheel (6 standard interference filters : 340 nm, 405 nm 492 nm, 546 nm, 578 nm and 623 nm; 3 positions for optional filter of choice)
Photometric Range	0-2.5 A
Cuvette System	Microflow Cell- 32 µl, 10 mm light path interchangeable with normal standard cuvettes (macro or semi-micro, disposable or special optical glass)
Temperature Control	Internal Peltier element, temperature variable, pre-adjusted to 25°C, 30°C and 37°C Equilibration time for aspirated reaction mixture to reach 37°C from ambient temperature : 15 sec
Aspiration System	Built-in peristaltic pump driven by stepper motor, programmable aspiration volume controlled by infrared light barrier
Sipping Volume	Minimum 250 µl, typically 500 µl up to 2000 µl Separate setting of aspirate volume and wash volume
Operator Interface	Touchscreen for direct functions and alphanumeric inputs
Data Presentation	Graphic display : white characters or symbols, blue backlight, dimension 240 x 128 dots
Integrated Printer	Thermal printer
Languages	English and German (other languages on request)
Memory	General operating software contained in FLASH MEMORY can be updated by PC (data file downloaded from Internet, floppy disk or CD ROM) <ul style="list-style-type: none"> <li>• Capacity for 250 pre-programmed tests</li> <li>• Up to 230 tests can be stored in RAM. Import of data by touchscreen or PC</li> <li>• Up to 50 non-linear calibration curves with max 20 sets of points can be stored</li> </ul>
Data Logging Signal Port	Up to 2970 results of max 99 samples can be managed in the memory.
Measurement Procedures	Serial port for connection to an external printer and/or PC <ul style="list-style-type: none"> <li>• Absorbance, Endpoints with factor, standard or multiple standards, with or without reagent blank and/or sample blank.</li> <li>• Kinetics with standard, factor or multiple standards, with or without blank Fixed time with standard, factor or multiple standards, with or without reagent blank Turbidimetry</li> <li>• Single, double and triple determinations</li> <li>• Curve fitting for non-linear standard curves</li> </ul>
Quality Control	Up to 50 methods can be controlled with two control seras
Measuring Time	Kinetic : variable from 3 - 28 deltas, time per delta 4 - 255 sec in 1 sec steps Fixed time : variable from 0 - 65535 sec in 1 sec steps
Delay Time	Programmable from 0 - 65535 sec in 1 sec steps
Dimensions	Length 33 cm x width 34 cm x height 18 cm
Weight	6 Kg

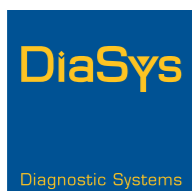
# Photometer 5010<sub>V5+</sub>

## Performance Forever

MADE IN GERMANY

Over 2500  
Installations across India

Now with  
LED



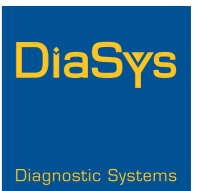
**DiaSys**  
Diagnostics India Private Limited  
Plot No. A -821, TTC, MIDC, Mahape,  
Navi-Mumbai, 400710,  
Maharashtra, India.

Toll free: 1800 120 1447  
E-Mail : info@diasys.in  
www.diasys.in

PT/19/027  
Jan 2020

CHOOSING QUALITY.

- High Quality Optics
- Flexible Cuvette Concept
- Effective Temperature Regulation System
- Double-secured Liquid Control with Infra Red Bubble Detector



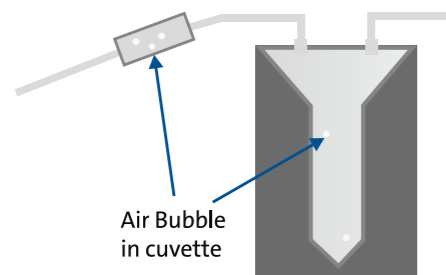
CHOOSING QUALITY.

# Photometer 5010<sub>V5+</sub>

- Minimum Sipping Volume - 250  $\mu$ L
- High Capacity for Programmable Methods

## Aspiration System with Bubble Detector

- Unique infra-red bubble detector
- Detects bubble & prevents erroneous results
- Extremely helpful with small volumes

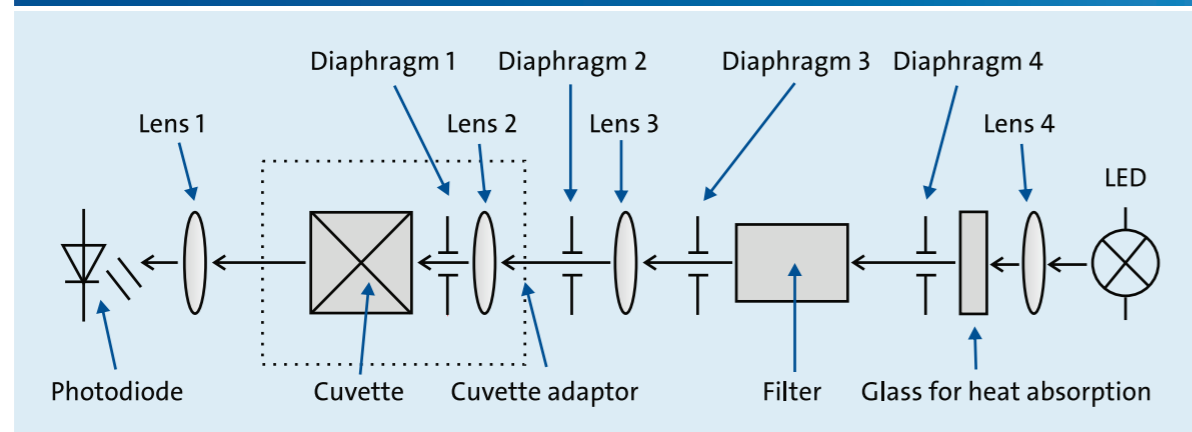


## Peristaltic Pump

- Stainless steel peristaltic pump.
- Driven by Stepper Motor
- Pump calibration mode to ensure correct aspiration.
- Pump mounted vertically to prevent penetration of liquid to the electronic parts.



## High Quality Optical System



- Photometric absorbance range 0.00A to 2.5A
- Band width  $\pm 2$ nm
- 32  $\mu$ L cuvette volume
- Minimum sipping volume 250  $\mu$ L
- Effective peltier - temperature change achieved in 15 sec

## Touch Screen

- Touch screen for direct programming and for alpha numeric inputs
- User friendly teach-in mode.

## LED

- Least power consumption
- Lasts 13 times longer
- Cooler than halogen lamps

## Pre-Programmed

- Basic 28 parameters pre-programmed
- Error free process

## Quality Control

- Daily QC and Monthly QC
- 50 methods can be monitored
- Two control seras each method

## Remote Control

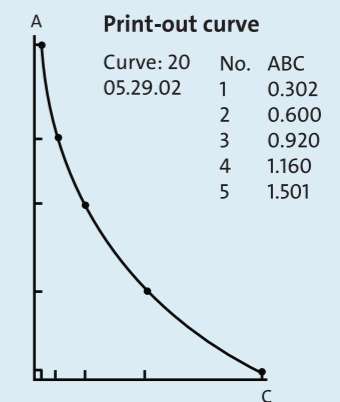
- When activated, Photometer 5010 can be remote controlled by a PC and a suitable program

## Parameter Window

- End point / kinetics / fixed time with factor standard or multiple standards with or without reagent blank and/or sample blank
- Single, double and triple determinations
- Curve fitting for non-linear standard curves
- Turbidimetry

## Multi Standard Tests

- Facility to perform non linear multi-standard chemistries
- Edit Curve - After inquiry of the curve number all curve bases can be edited
- Print Curve - After inquiry of the curve number print-out on the internal printer
- List of Act Curves - The method number and the date of preparation of all current curves shown.



## Instrument Status Monitor

